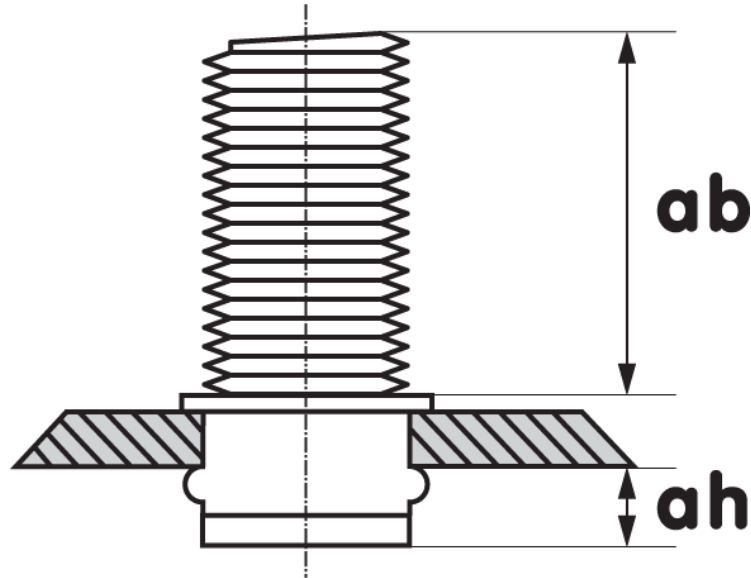


RSTUD06250/FAR  
M6 x 37 Steel Round Rivet Stud - Zinc



<b>Product Code:</b>	RSTUD06250/FAR
<b>Title:</b>	M6 x 37 Steel Round Rivet Stud - Zinc
<b>Shipment Qty:</b>	0
<b>Qty Per Pallet:</b>	0
<b>Carton Qty:</b>	0
<b>Inner Box Qty:</b>	0
<b>Weight (KG) Per 1000:</b>	0

<b>Stock in UK:</b>	<b>Stock in Factory:</b>	<b>Stock in Transit:</b>
3	0	0

**Product Code:** RSTUD06250/FAR

**Min Grip Range (mm):** 0.5

**Max Grip Range (mm):** 3

**Tensile N:** 10000

**Grip Min:** 0.5

**Grip Max:** 3

**Installed:** 25

**Shear Strength Nm:** 1.0Nm

**Tensile Strength Nm:** 10000N

**Head Diameter:** 13mm

**Installed ab:** 25mm

**Body Diameter:** 8.9mm

**Head:** 8.9mm

**Installed ah:** 9mm

**Thread Size:** M6

**Body Mat:** Steel

**l:** 37mm

ARK