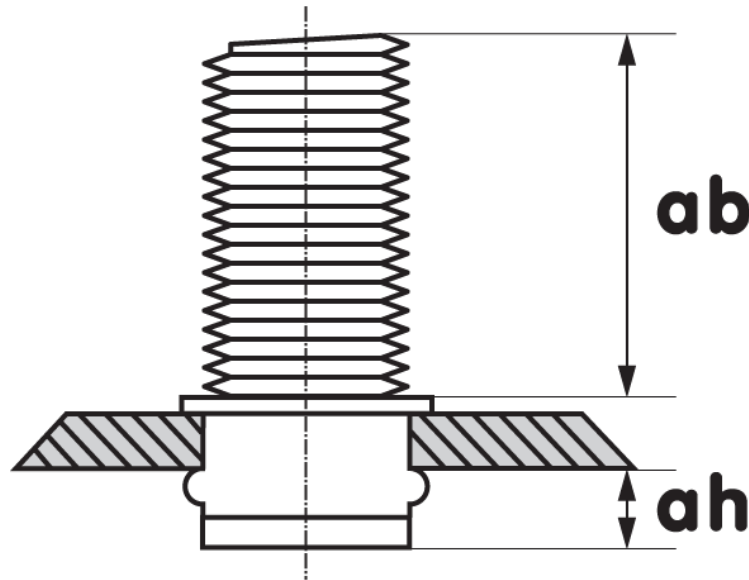


RSTUD06250H/FAR
M6 x 37 Steel Hexagon Rivet Stud - Zinc



Product Code:	RSTUD06250H/FAR
Title:	M6 x 37 Steel Hexagon Rivet Stud - Zinc
Shipment Qty:	0
Qty Per Pallet:	0
Carton Qty:	0
Inner Box Qty:	0
Weight (KG) Per 1000:	0

Stock in UK:	Stock in Factory:	Stock in Transit:
0	0	0

Product Code: RSTUD06250H/FAR

Min Grip Range (mm): 0.5

Max Grip Range (mm): 3

Tensile N: 10000

Grip Min: 0.5

Grip Max: 3

Installed: 25

Shear Strength Nm: 1.0Nm

Tensile Strength Nm: 10000N

Head Diameter: 13mm

Installed ab: 25mm

Installed ah: 8mm

Body Diameter: 9mm

Head: 9mm

Thread Size: M6

Body Mat: Steel

l: 37mm

ARK